

# Triflex

Delivering solutions together.

Cold liquid applied roof waterproofing and protection systems

## Intelligent roof protection



Triflex solutions for roofs

# Thoroughly impressive

Roofs are subject to weather, wind, mechanical, thermal and chemical stresses all year round. Details, such as upstands, gutters and roof penetrations are particularly vulnerable with any failures leading to water ingress and damage to the integrity of a building.

With Triflex roofing systems, you have a solution that can handle even the most difficult requirements easily. Our fully reinforced, cold liquid applied systems ensure that all surfaces and complicated details are reliably waterproofed long term. Our high quality products, impeccable track record, dedicated technical support and 40 years' experience, make Triflex the ideal choice to deliver your roofing project.



Triflex system strengths

## Advantages, at a glance

Fully reinforced waterproofing of all areas including details.

**Durable protection with added security, everywhere.**

Fast-curing, cold liquid applied, fully certified waterproofing.

**Reduced time on site, fast project completion, with the comfort of BBA, ETA and FLL certification.**

No hot works, with the highest UK fire rating once installed

**Zero flame, with no risk of fire during installation and certified to BS 476 EXT.F.AA.**

Fully warranted systems

**Solutions underpinned by meaningful warranties backed by insurance.**



#### All-round versatility.

Roof refurbishment, roof overlay, new build roofs, warm roofs, inverted roofs, green roofs, metal roofs, roof repairs, roof markings and much more. With Triflex you always have the ideal and long lasting solution for your waterproofing requirements.



#### Extremely durable.

Triflex solutions are approved to the highest levels including BBA, ETA and FLL certification. Our solutions have performed successfully in extensive tests and in long-term practical use, with many systems demonstrating proven performance in excess of 25 years.



#### Waterproof down to the smallest detail.

Upstands, parapets, cappings, plinths, gutters, drips, rooflights, hatches, joints and cracks. Our seamless, fully reinforced waterproofing solutions come into their own when handling complicated details and repairs.

Problem-free adhesion even on unusual and challenging substrates.

**Risk-free working, with exceptional levels of compatibility, including on single ply membranes.**

Resistant to standing and ponding water.

**Can be used on zero pitch and completely flat roofs.**

Can be applied at temperatures down to -5°C.

**Projects can be completed on time regardless of the time of year.**

Certified root and rhizome resistant.

**For the sustainable waterproofing of green roofs.**



## Complete versatility

Triflex systems are designed to be applied to almost all roof substrates. The Triflex laboratory has tested compatibility on more than 7,000 membrane samples including numerous single ply products, the overlay of which is a Triflex speciality. The properties of Triflex systems allow the costs, risks and disruption associated with the removal of the existing waterproofing system to be totally eliminated. In addition the versatility of our solutions allows them to be used in wide ranging applications.



# TRIFLEX IS WATERPROOFING, MADE EASY



## Flat roofs

Our comprehensive range of BBA and ETA certified, cold liquid applied waterproofing systems are suitable for both flat roof refurbishment and new build roofs including inverted roofs. These fully reinforced, seamless solutions are based on the most advanced solvent free polymer chemistry, and with fast curing, and odour free options available, Triflex roof waterproofing systems offer significant advantages over both conventional materials and non-specialised liquid competition.



## Warm roofs

Warm roofs have become increasingly popular as the requirement to continually increase the thermal performance of buildings grows. We offer a fully integrated, engineered warm roof solution comprising of all build-up elements. With the choice of PIR and mineral wool insulation used in combination with our durable waterproofing systems, the long term performance of the roof can be guaranteed.



## Green roofs

Green roofs are specified for aesthetic, functional and environmental reasons. We offer multiple FLL certified systems ideal for green roof applications, which offer resistance to both roots and rhizomes with additional certification to EN 13948: 2007.



## Metal roofs

In addition to common problems including waterproofing gutters and penetrations, metal roofs are subject to specific issues including cut edge, end-lap and general corrosion combined with high levels of thermal movement. Our range of metal roof solutions offer lasting protection with proven adhesion, durability, flexibility and corrosion protection.



## and much more

We also provide solutions for:

- Detail and repair only
- Inverted roofs
- Submerged waterproofing
- Podiums / plaza decks
- Heavily trafficked roofs
- Highly sensitive environments
- Roof markings
- and much more...

## Overview of Triflex roof systems

# System selector

For further technical information please contact the Triflex Technical Team, call **01785 819119** or email **tech@triflex.co.uk**

● = Suitable

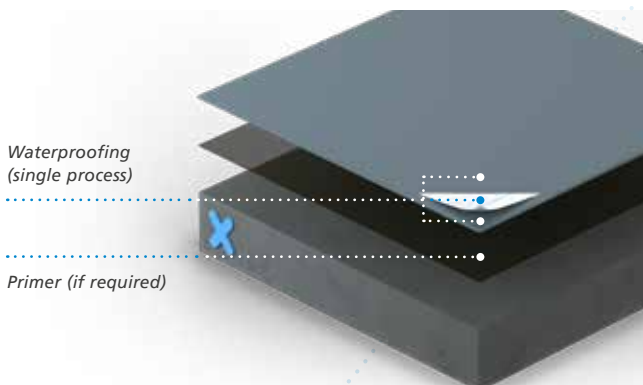
Requirement	Waterproofing systems		Detail and repair waterproofing systems		Metal roof system
	Triflex ProTect	Triflex ProThan	Triflex ProDetail	Triflex ProFibre	Triflex MetalCoat
Roof waterproofing	●	●	-	-	-
Rapid curing	●	-	●	●	-
Roof waterproofing in highly odour sensitive areas	-	●	-	-	-
Green roof waterproofing	●	●	●	-	-
Blue roof and submerged waterproofing	●	-	●	-	-
Detail and repair waterproofing	-	-	●	●	-
Coating of metal roofs	-	-	-	-	●
Detail and repair metal roof waterproofing	-	-	●	●	-
Certification	BBA, ETA, FLL	BBA, ETA, FLL	BBA, ETA, FLL	-	-

### Roof waterproofing system

## Triflex ProTect®

Triflex ProTect is a fully reinforced, waterproofing system with outstanding properties allowing it to be used all year round to waterproof all roof constructions and build-ups, including use in areas subject to standing and ponding water. The solvent free solution is suitable for new build and refurbishment where its compatibility with almost all existing substrates, including single ply, and its simple, single process application are invaluable.

### System build-up



### Advantages at a glance

#### Versatile

Triflex ProTect is suitable for all roof build-ups and applications including, overlay, warm roofs, inverted roofs, blue roofs, green roofs and much more.

#### Cold applied and rapid curing, even at low temperatures

With Triflex ProTect there is no risk from hot works. The cold liquid applied system has exceptionally rapid curing times, even in changeable weather and at substrate temperatures down to 0°C. The system is typically rainproof after 30 minutes and fully cured in 45 minutes.

#### Single process application

The single process application saves time on site, reduces installation costs and minimises risk from contamination.

#### Tough and durable, fully reinforced technology

Designed for foot traffic, providing exceptional puncture resistance compared to many alternative materials. Also provides long term resistance to high levels of regular and unforeseen movement. With the optional heavy duty wearing layer the system can also be used for very highly trafficked industrial roofs.

#### Fully certified

The system is fully certified to the highest UK and European standards and classifications, including; BBA, ETA (ETAG 005), FLL (Green Roof Guidelines), EN 13948:2007 and fire performance to BS 476 / EN 13501-1 / EN 13501-5.

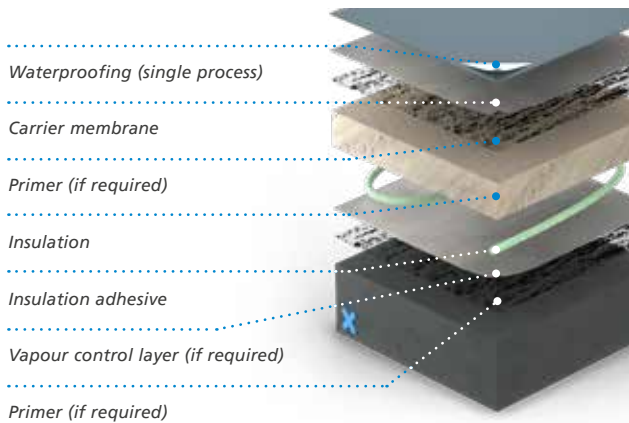


Warm roof waterproofing system

## Triflex ProTect® warm roof

Triflex ProTect warm roof is a fully reinforced, waterproofing system with outstanding properties allowing it to be used all year round to create a waterproof warm roof build-up for all roof constructions and build-ups, including use in areas subject to standing and ponding water. The cold bonded solvent free solution is suitable for new build and refurbishment, offering exceptional performance and is compatible with the BBA and ETA certified Triflex ProTect

### System build-up



### Advantages at a glance

#### Choice of insulation media

The system build-up can be tailored to suit your project and allows a range of insulation media to be utilised including PIR and mineral wool with optional heavy duty toppings.

#### Cold applied and rapid curing, even at low temperatures

With Triflex ProTect there is no risk from hot works. The cold liquid applied system has exceptionally rapid curing times, even in changeable weather and at substrate temperatures down to 0°C. The system is typically rainproof after 30 minutes and fully cured in 45 minutes.

#### Watertight at all stages

Triflex vapour control layer and Triflex carrier membrane are designed to keep the roof watertight and the insulation free from water prior to installation of the final waterproofing.

#### Single source supply

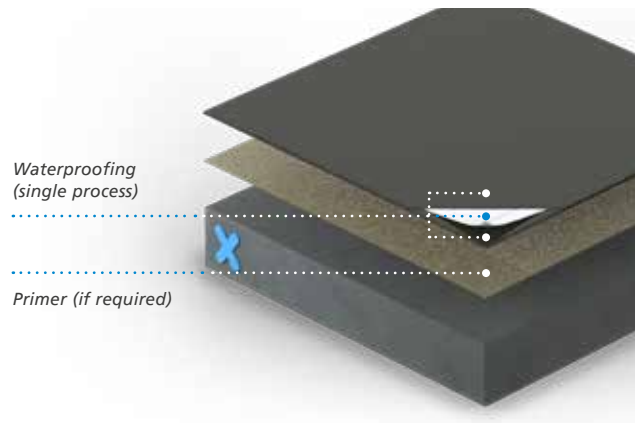
All components are supplied from one source ensuring compatibility.

Roof waterproofing system for highly sensitive environments

## Triflex ProThan®

Triflex ProThan provides the ideal solution for waterproofing roofs in highly odour sensitive areas. The solvent free resin is odour free during application making it ideally suited for waterproofing the roofs of hospitals, food processing facilities and other sensitive environments. The system can also be used internally without the requirement for additional ventilation and is particularly suitable for internal plant rooms.

### System build-up



### Advantages at a glance

#### Odour and solvent free

The polyurethane resin is odour free during application, making it suitable for use in highly sensitive areas, such as hospitals, food processing facilities and internal plant rooms.

#### Cold applied

Cold liquid applied with no risk from hot works the system also has the highest UK fire rating once installed.

#### Versatile

Triflex ProThan is suitable for the vast majority of build-ups and applications including, overlay, warm roofs, inverted roofs, green roofs and much more.

#### Tough and durable in a single process application

The system is applied in a single process saving time on site, minimising installation costs and avoiding the inter-layer adhesion risks which can affect multi-coat systems. The standard system is designed for foot traffic while providing exceptional puncture resistance. The fully reinforced system also provides long term resistance to high levels of regular and unforeseen movement. With the optional heavy duty wearing layer the system can also be used for highly trafficked industrial roofs.

#### Fully certified

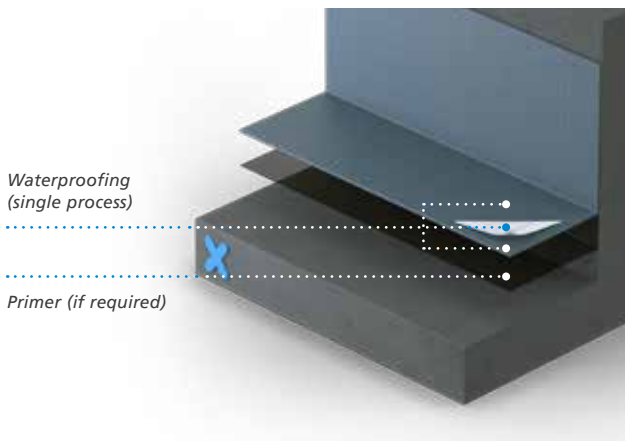
The system is fully certified to the highest UK and European standards and classifications, including; BBA, ETA (ETAG 005), FLL (Green Roof Guidelines), EN 13948:2007 and fire performance to BS 476 / EN 13501-1 / EN 13501-5.



## Roof detail and repair waterproofing **Triflex ProDetail®**

Roofs are often most vulnerable to water ingress at details, so it is essential that these areas are reliably waterproofed. Triflex ProDetail is a fully reinforced, seamless solution that is ideal for the fast and easy waterproofing of virtually all details, including upstands, gutters and roof penetrations. Exceptionally rapid cure times, even at temperatures as low as -5°C, allow the system to be installed all year round, in a simple, single process application.

### System build-up



### Advantages at a glance

#### Reliable application with high compatibility

The liquid applied waterproofing has a thixotropic formulation as standard, allowing it to be used on vertical surfaces and is compatible with virtually all roof substrates.

#### Tough and durable in a single process application

The system is applied in a single process saving time on site, minimising installation costs and avoiding the inter-layer adhesion risks which can affect multi-coat systems. The system provides long term resistance to high levels of movement. With the optional heavy duty wearing layer the system is ideal for the waterproofing of heavily trafficked gutters.

#### Cold applied and rapid curing, even at low temperatures

The liquid applied system has particularly rapid cure times. The waterproofing resin is completely cured in approximately 45 minutes, even in changeable weather and at substrate temperatures of down to -5°C.

#### Fully certified

The system is fully certified to the highest UK and European standards and classifications, including; BBA, ETA (ETAG 005), FLL (Green Roof Guidelines), EN 13948:2007 and fire performance to BS 476 / EN 13501-1 / EN 13501-5.

#### Triflex system compatibility

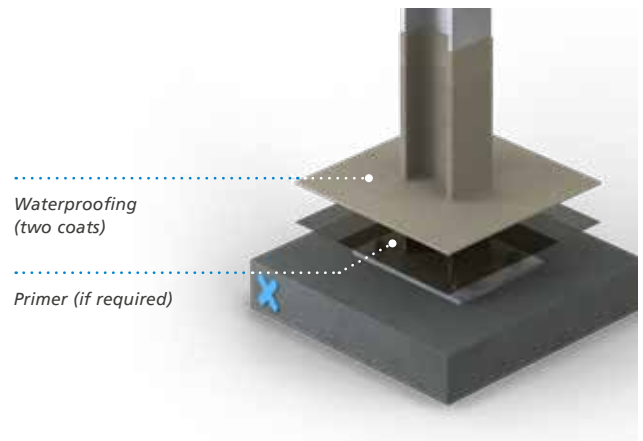
Triflex ProDetail is used in conjunction with other Triflex systems including Triflex ProTect.

## Complex roof detail and repair waterproofing **Triflex ProFibre®**

Triflex ProFibre is a fibre reinforced variant of Triflex ProDetail which is ideal for intricate details that are difficult to access or cannot be practically waterproofed using fabric reinforcement.

With exceptionally rapid cure times and unsurpassed levels of substrate compatibility, Triflex ProFibre allows for the simple, rapid waterproofing of all complex and difficult to access roof details and penetrations.

### System build-up



### Advantages at a glance

#### Incredible versatility

Suitable for the waterproofing of virtually all complex and restricted access interface details. Triflex ProFibre can be used stand alone or in combination with the majority of Triflex waterproofing, surfacing and protection solutions.

#### Simple application

The liquid applied waterproofing has thixotropic formulation as standard, allowing it to be used on vertical and even inverted surfaces.

#### Cold applied and rapid curing, even at low temperatures

The totally cold applied system has particularly rapid cure times even when applied at temperatures down to 0°C.

#### Tough and durable

The system provides long term resistance to high levels of movement.

#### Waterproof down to the smallest detail

The cured resin forms a totally waterproof, seamless and joint-free surface.



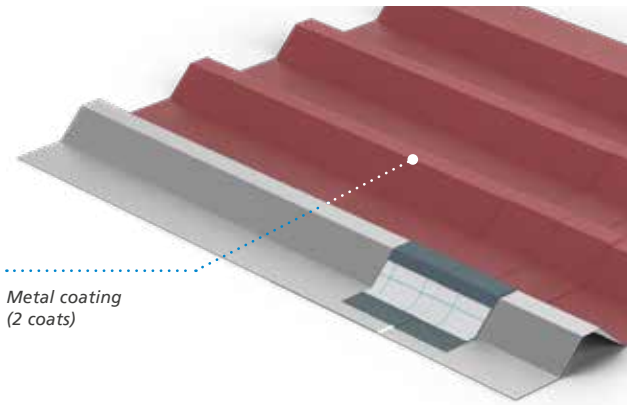
Metal roof waterproofing and protection

## Triflex Metal Coat

Triflex Metal Coat is a functional coating that was specifically developed for metal roofs. It protects against corrosion and prolongs the life of metal roofs and metal constructions.

What's more by utilising Triflex ProDetail, Triflex ProFibre, Triflex Metal Primer and Triflex Metal Coat, a combination of solutions are available for either localised or whole roof treatment including; end laps, cut edge, gutters, details and penetrations.

### System build-up



Metal coating  
(2 coats)

### Advantages at a glance

#### Corrosion protection

Triflex Metal Coat provides an anti-corrosive membrane which prevents rust forming and spreading.

#### Compatibility

Triflex Metal Coat is compatible with all ferrous and non-ferrous metal roofing materials. It is also compatible with virtually all coated metals, including; Plastisol, HPS200, Celestia, Polyester and PVDF, allowing direct overlay.

#### Colours

The coating is available in a range of colours. Old, weathered roofs are visually enhanced and look like new again.

#### Simple application

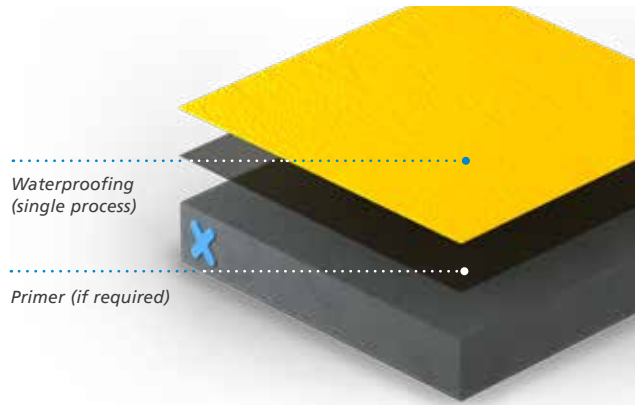
The single component coating is easy and quick to apply.

Roof markings

## Triflex Safety Coat

Triflex Safety Coat is a stand-alone, fast curing, cold liquid applied coloured coating system, and is the optimum solution for roof markings, walkways and signage. Whether required for Health and Safety purposes, aesthetic or design reasons, the anti-skid system provides a simple to install yet thoroughly effective solution.

### System build-up



Waterproofing  
(single process)

Primer (if required)

### Advantages at a glance

#### Anti-skid

Triflex Safety Coat can help to prevent slips, trips and falls and provides high levels of slip resistance for foot traffic.

#### Colour and design

In addition to Triflex Safety Coat being available in a wide range of standard colours, bespoke colours and designs are also available allowing you to tailor the solution to the needs of your client.

#### Versatile

Triflex Safety Coat is a one-system solution that can be used to solve all requirements including markings, walkways and signage. The system is compatible with virtually all existing substrates and Triflex roof waterproofing systems.

#### Cold applied and rapid curing

In addition to no risks from hot works, the system can be applied all year round at low temperatures with no significant extension of cure times.

#### Simple application

The system is simple to apply in a single process by roller.

#### Tough and durable

The system is designed to handle high levels of foot traffic.

Triflex service

# Setting the standard

## Solutions

Our aim is to ensure that our clients arrive at the most practical, efficient and best value solution for their project. We do not sell products - we offer solutions to solve problems.

## Service

Our clients receive the highest level of technical service, support and back-up right through to the delivery of the finished project. From site surveys and testing, to bespoke specifications and CAD models, we offer complete peace of mind.



## On-site support

Prior to and once your project commences, we can provide full on-site support. Whether you require testing, monitoring, site visit reports or simply advice, we can be on hand when you need us to ensure that your project is delivered to the highest standard.

## Delivery

We only sell our solutions directly to our network of specially trained Authorised Installers, ensuring that quality is not compromised at any stage of the process. Additionally our UK warehouse can provide next day delivery of most items to ensure that there is a quick turn around on your project.

Triflex solutions in action

# Case studies



## St. Simon Stock School

Location: Maidstone  
Area: 1,000m<sup>2</sup>



## Forster Park Primary School

Location: Lewisham  
Area: 500m<sup>2</sup>



## Airport House

Location: Croydon  
Area: 6,400m<sup>2</sup>



## Pavilion Nursery

Location: Wembley  
Area: 300m<sup>2</sup>



## Harvey Centre

Location: Harlow  
Area: 1,500m<sup>2</sup>



## Arena Village

Location: Leeds  
Area: 100m<sup>2</sup>

For more case studies visit [triflex.co.uk/casestudies](https://triflex.co.uk/casestudies)

# EVEN MORE SOLUTIONS FROM TRIFLEX.

Fast, attractive, long-lasting

## Solutions for walkways, balconies & terraces

Our walkway, balcony and terrace systems meet the highest demands for functionality and design, and can be used both in new builds and in refurbishments. They are quick to apply, enable short renovation times and offer a wide selection of colours and surface finishes. This broad range of long-lasting solutions ensures satisfied clients and tenants.

### ADVANTAGES AT A GLANCE

- Waterproofing, surfacing and coating in a single day
- Applies seamlessly to any structural form
- Reliable detail and joint waterproofing
- UV and fire resistant
- Non-slip surface



Reference  
project  
**Meadfoot beach  
chalets**

Location: Torquay  
Area: 550m<sup>2</sup>

Long term protection, versatile

## Solutions for car parks

Our high quality, cold liquid applied waterproofing and surfacing systems protect multi-storey and underground car parks from mechanical loads and chemical degradation, guaranteeing reliable, long term protection. Our solutions not only prolong the life of the building and add value and safety to the structure, they also minimise disruption to users as installation can be completed quickly with treated areas open to traffic after just a few hours.

### ADVANTAGES AT A GLANCE

- Long term protection for multi-storey, underground and surface car parks
- Fast application, short closure periods
- Non-slip surface
- Creative design possibilities
- The perfect solution for refurbishment



Further applications

## Solutions for energy, industry and infrastructure

Whatever the project, we have a range of specifically engineered waterproofing and coating systems to suit your needs. We can provide solutions for almost any application, from the protection of equipment rooms and water management facilities to wind turbine foundation waterproofing.

### ADVANTAGES AT A GLANCE

- Long lasting and reliable waterproofing
- UV and fire resistant
- Aesthetically pleasing and high quality
- Compatible with almost any substrate



Reference Project  
**New Bailey Street**  
Location: Manchester  
Area: 20,000m<sup>2</sup>



Reference project  
**Tween bridge wind farm**  
Location: Doncaster  
Area: 22 turbines

# Triflex

Delivering solutions together.

Triflex Toolbox

## All of Triflex, a tap away



Which Triflex system is suited for your project? Which colour will show your balcony or terrace off to its maximum potential? How do you mix Triflex waterproofing products?

The Triflex Toolbox answers all of these questions, and much more!

Search your app store for Triflex Toolbox



Triflex (UK) Ltd  
Whitebridge Way  
Stone  
Staffordshire  
ST15 8JS

 01785 819119

 Triflex (UK) Ltd

 [info@triflex.co.uk](mailto:info@triflex.co.uk)

 @TriflexUK

 [triflex.co.uk](http://triflex.co.uk)

Information in this brochure may be subject to errors and technical modifications. For the latest information please refer to [triflex.co.uk](http://triflex.co.uk) or contact 01785 819119.

TRI-R-1018